

C3E100R
C3E130R
C3E150R



The 24 V Cargo C3E100R-150R three wheels rear wheel drive is an excellent handling tool, combining minimal size, optimum stability and exceptional performance. Extremely agile and recommended for the tightest spaces, thanks to its low overhead guard (1980 mm) it is suitable for specific application such as working inside containers. The range comprises model from 1000 to 1500 kg, with lifting height up to 6505 mm.



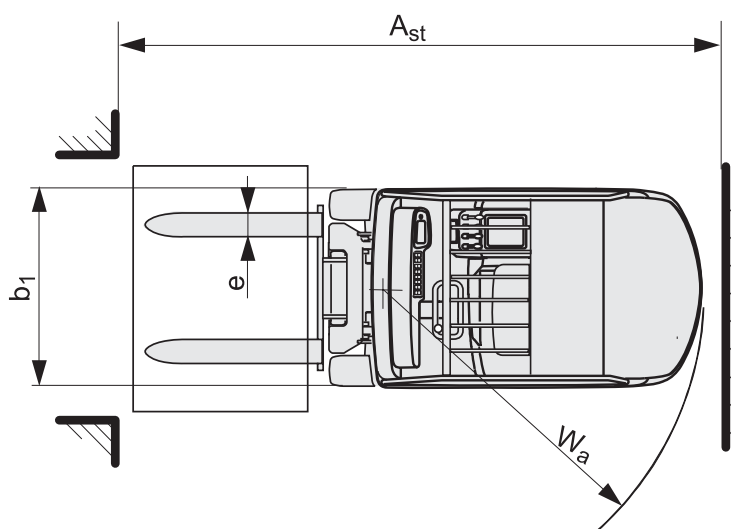
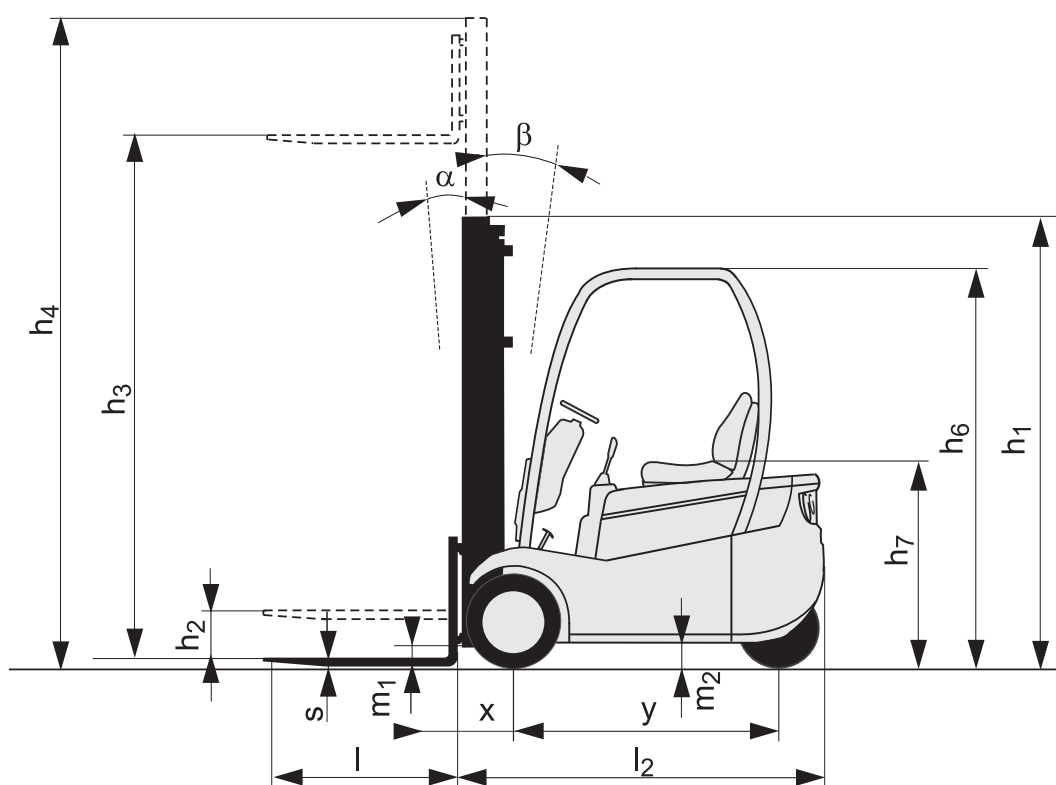
Technical Details		C3E100R	C3E130R	C3E150R
Power unit		electric		
Operating type		driver seated		
Rated capacity	kg	1000	1250	1500
Load centre	mm	500	500	500
Load per axle without load, front/rear	kg	1100/1450	1230/1590	1280/1650
Load per axle with load, front/rear	kg	2950/600	3390/680	3820/610
Number of wheels, front/rear		2/1x	2/1x	2/1x
Wheel type, front/rear ¹⁾		C/SE/PN	C/SE/PN	C/SE/PN
dimension, front		457x152/18x7-8/ 18x7-8	457x152/18x7-8/ 18x7-8	457x178/18x7-8/ 18x7-8
dimension, rear		457x152/18x7-8/ 18x7-8	457x152/18x7-8/ 18x7-8	457x178/18x7-8/ 18x7-8
Centre of wheels, front	mm	837/837/847 ²⁾	837/837/847 ²⁾	881/837/847 ³⁾
Centre of wheels, rear	mm	0	0	0
Fork arm carriage acc. to ISO-FEM		II A	II A	II A
Travel speed, without/with rated load	km/h	12,5/12,0	12,5/12,0	12,5/12,0
Service brake		hydraulic	hydraulic	hydraulic
Parking brake		hand brake	hand brake	hand brake
Lift speed, without/with rated load	m/s	0,52/0,32	0,52/0,31	0,52/0,30
Lowering speed, without/with rated load	m/s	0,52/0,59	0,52/0,59	0,52/0,59
Nom. drawbar pull, without/with load	N	1670/1470	1670/1420	1670/1370
Max. drawbar pull, without/with load (S2 5')	N	7500/7300	7500/7250	7500/7200
Gradient, without/with rated load (S2 30')	%	12,5/8,0	11,5/7,0	11,0/6,5
Max. gradient, without/with rated load (S2 5')	%	25,0/19,0	25,0/17,0	25,0/16,0
Drive motor	kW	5,1	5,1	5,1
Lift motor	kW	7,5	7,5	7,5
Battery capacity	V/Ah	24/420-500	24/735-875	24/840-1000
Battery weight	kg	372	600	676
Weight with battery	kg	2550	2820	2930
Steering system		hydraulic	hydraulic	hydraulic
Speed control		AC Mosfet	AC Mosfet	AC Mosfet
Working pressure for attachments	bar	140	140	140

Dimensions, mm		C3E100R	C3E130R	C3E150R
x	Front axle to fork face	330 ⁴⁾	330 ⁴⁾	330 ⁴⁾
y	Wheel base	984	1146	1200
α/β	Mast tilt forward/backward	3°/6°	3°/6°	3°/6°
h ₆	Height overhead guard	1980	1980	1980
h ₇	Height of driver's seat	941	941	941
l ₂	Truck length incl. back of fork	1564 ⁴⁾	1726 ⁴⁾	1780 ⁴⁾
b ₁	Chassis, width	990/990/1030 ⁵⁾	990/990/1030 ⁵⁾	1062/990/1030 ⁵⁾
s	Fork thickness	35	35	35
e	Fork width	100	100	100
l	Fork length	1000	1000	1000
m ₁	Floor clearance under mast	90	90	90
m ₂	Floor clearance mid wheelbase	90	90	90
A _{st}	Aisle width, mm Pallet size 800x1200/1000x1200 ⁶⁾	3015/2893	3177/3055	3231/3109
W _a	Turning radius	1234	1396	1450

- 1) C = Cushion, SE = Superelastic, PN = Pneumatic, TW = Twin
- 2) 909/909/909 with Duplex h > 4000 mm - Triplex h > 4350 mm
- 3) 881/909/909 with Duplex h > 4000 mm - Triplex h > 4350 mm
- 4) With side shift = +34mm
- 5) 1062/1062/1092 with Duplex h > 4000 mm - Triplex h > 4350 mm
- 6) Shortside handling / longside handling

Truck performance and dimensions are nominal and subject to tolerances.
BT Products AB products and specifications are subject to change without notice.
All data is based on VDI 2198.

Mast, mm														
h_3	Lift height	2870	2970	3270	3670	3970	4170	4280	4470	4670	4970	5670	5970	6470
Duplex														
h_1	Height of mast, min.		1990	2140	2340		2590			2890				
h_2	Free lift		80	80	80		80			80				
h_4	Height of mast, max.		3515	3820	4215		4715			5215				
Duplex FFL														
h_1	Height of mast, min.	1940		2140	2340	2490								
h_2	Free lift	1395		1595	1795	1945								
h_4	Height of mast, max.	3415		3820	4215	4515								
Triplex FFL														
h_1	Height of mast, min.							1960	2025		2190	2440	2540	2740
h_2	Free lift							1415	1480		1645	1895	1995	2195
h_4	Height of mast, max.							4825	5015		5515	6215	6515	7015





- The ergonomic cab features the highest standards in operator comfort, safety and ease of access.
- High visibility and stability. The position of the uprights, which are widely spaced, guarantees excellent visibility thanks to the placing of the lifting cylinders, in line with the mast profiles.
- The operator can choose between 3 different drive programs, as well as an additional reduced speed setting.
- The automobile-style dashboard has main function indicator lights plus error codes display for a rapid fault identification.
- The AC controller can be used to program and customize the parameters of the various functions; braking, traction and lift acceleration, and minimum acceleration threshold.
- The CAN-Bus simplifies the electrical system by reducing wiring and increases the flexibility of the truck control system.
- The 180° rotation of the single rear wheel, combined with the machine's compact size, allow excellent manoeuvrability even in tight spaces and narrow storage aisles.
- The optional lateral battery extraction allows battery change times to be minimised, optimising the truck's productivity.



Truck features	C3E100R	C3E130R	C3E150R
Adjustable fork width	S	S	S
Tilting mast	S	S	S
Controls and instruments			
Hydraulic steering	S	S	S
Information display	S	S	S
Sideshift	O	O	O
Electronic fingertip controls	O	O	O
Mini-joystick electronic controls	O	O	O
Driving features			
Electronic regenerative brakes	S	S	S
Three driving programs	S	S	S
Curve cut-back speed	S	S	S
Safety features			
Clear-view mast	S	S	S
Emergency cut-off	S	S	S
Programmable performance	S	S	S
Drivers compartment features			
Adjustable steering wheel	S	S	S
Enclosed cab with or without heating	O	O	O
Maintenance features			
Easy access for maintenance	S	S	S
Fault diagnosis facility	S	S	S
Battery management features			
Battery status indicator	S	S	S
Battery discharge prevention system	S	S	S
Lateral battery extraction	O	O	O
Special applications			
Coldstore version	O	O	O

S = Standard feature

O = Optional feature

— = Not available

